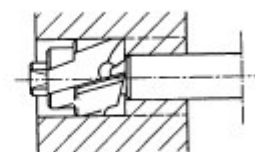
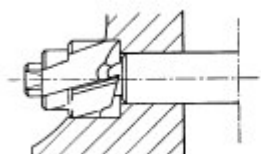
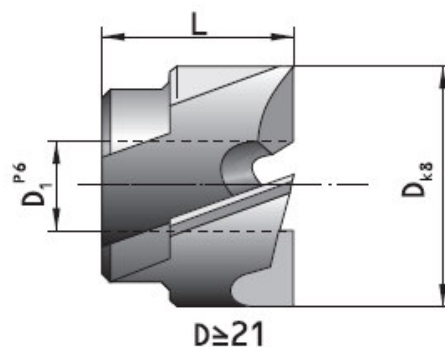
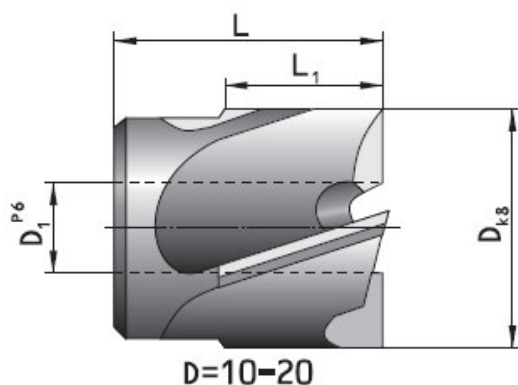


# NÁSTROJE PRO

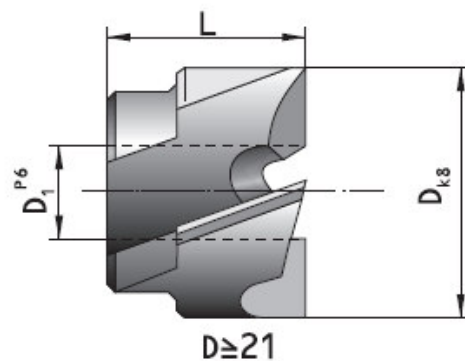
- ZPĚTNÉ ZAHLUBOVÁNÍ

- ZPĚTNÉ ZAROVNÁVÁNÍ

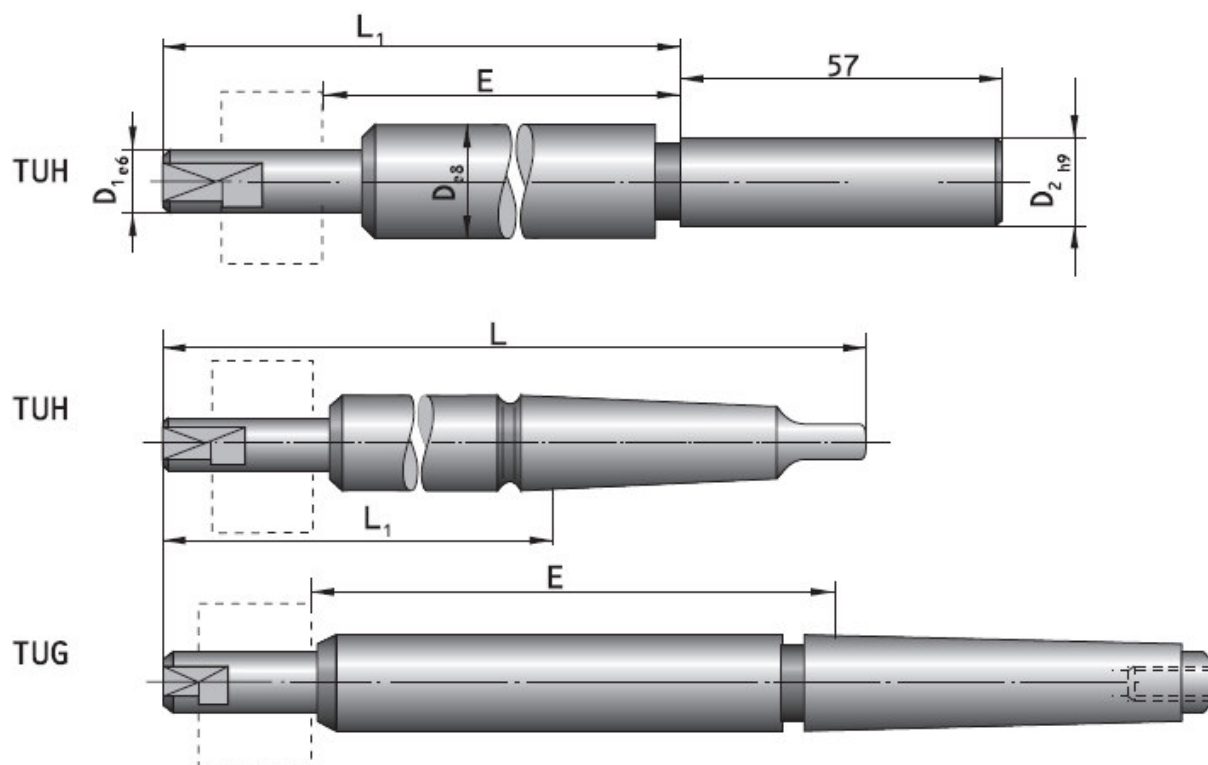




$D_1$	D	L	$L_1$	Objednací číslo HSS	Objednací číslo HM (tvrdokov)
5	10,0	28	15	TU 1000501	TU 1000505
5	10,4	28	15	TU 1040501	TU 1040505
5	11,0	28	15	TU 1100501	TU 1100505
5	12,0	28	15	TU 1200501	TU 1200505
5	13,0	28	15	TU 1300501	TU 1300505
6	13,5	30	16	TU 1350601	TU 1350605
6	14,0	30	16	TU 1400601	TU 1400605
6	14,5	30	16	TU 1450601	TU 1450605
6	15,0	30	16	TU 1500601	TU 1500605
8	16,0	32	18	TU 1600801	TU 1600805
8	16,5	32	18	TU 1650801	TU 1650805
8	17,0	32	18	TU 1700801	TU 1700805
8	17,5	32	18	TU 1750801	TU 1750805
8	18,0	32	18	TU 1800801	TU 1800805
8	19,0	32	18	TU 1900801	TU 1900805
8	20,0	32	18	TU 2000901	TU 2000905
9	21,0	22	-	TU 2100901	TU 2100905
9	22,0	22	-	TU 2200901	TU 2200905
9	23,0	22	-	TU 2300901	TU 2300905
9	24,0	22	-	TU 2400901	TU 2400905
11	25,0	24	-	TU 2501101	TU 2501105
11	26,0	24	-	TU 2601101	TU 2601105
11	27,0	24	-	TU 2701101	TU 2701105
11	28,0	24	-	TU 2801101	TU 2801105
11	29,0	24	-	TU 2901101	TU 2901105
11	30,0	24	-	TU 3001101	TU 3001105
13	31,0	26	-	TU 3101301	TU 3101305
13	32,0	26	-	TU 3201301	TU 3201305
13	33,0	26	-	TU 3301301	TU 3301305
13	34,0	26	-	TU 3401301	TU 3401305
13	35,0	26	-	TU 3501301	TU 3501305
13	36,0	26	-	TU 3601301	TU 3601305
17	37,0	28	-	TU 3701701	TU 3701705
17	38,0	28	-	TU 3801701	TU 3801705
17	39,0	28	-	TU 3901701	TU 3901705
17	40,0	28	-	TU 4001701	TU 4001705
17	41,0	28	-	TU 4101701	TU 4101705
17	42,0	28	-	TU 4201701	TU 4201705
17	43,0	28	-	TU 4301701	TU 4301705
19	44,0	32	-	TU 4401901	TU 4401905
19	45,0	32	-	TU 4501901	TU 4501905
19	46,0	32	-	TU 4601901	TU 4601905
19	47,0	32	-	TU 4701901	TU 4701905
19	48,0	32	-	TU 4801901	TU 4801905

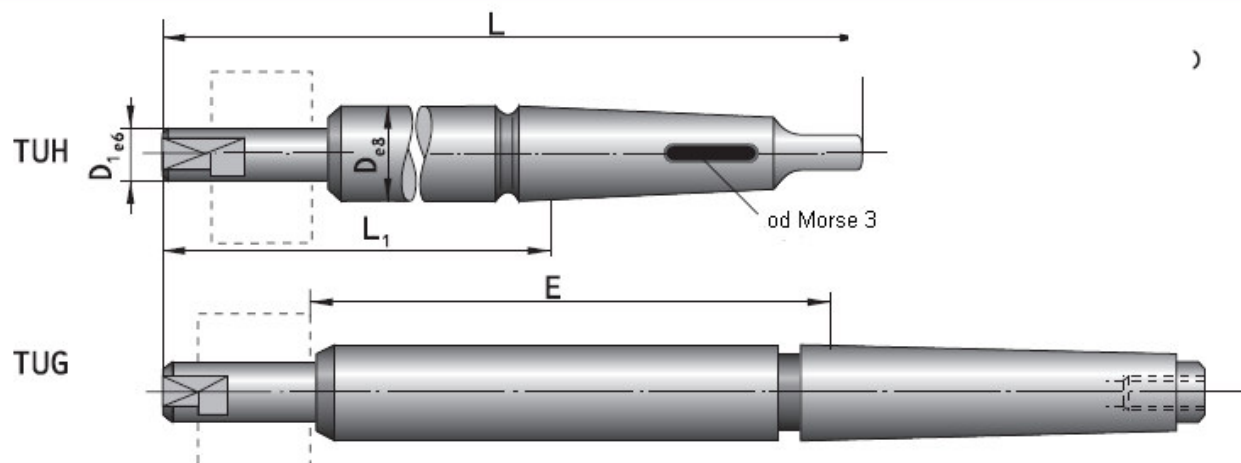


$D_1$	D	L	Objednací číslo HSS.	Objednací číslo HM (tvrdokov)
21	49,0	34	TU 4902101	TU 4902105
21	50,0	34	TU 5002101	TU 5002105
21	51,0	34	TU 5102101	TU 5102105
21	52,0	34	TU 5202101	TU 5202105
21	53,0	34	TU 5302101	TU 5302105
21	54,0	34	TU 5402101	TU 5402105
25	55,0	36	TU 5502501	TU 5502505
25	56,0	36	TU 5602501	TU 5602505
25	57,0	36	TU 5702501	TU 5702505
25	58,0	36	TU 5802501	TU 5802505
25	59,0	36	TU 5902501	TU 5902505
25	60,0	36	TU 6002501	TU 6002505
25	61,0	36	TU 6102501	TU 6102505
25	62,0	36	TU 6102501	TU 6202505
28	63,0	38	TU 6302801	TU 6302805
28	64,0	38	TU 6402801	TU 6402805
28	65,0	38	TU 6502801	TU 6502805
28	66,0	38	TU 6602801	TU 6602805
28	67,0	38	TU 6702801	TU 6702805
28	68,0	38	TU 6802801	TU 6802805
28	69,0	38	TU 6902801	TU 6902805
28	70,0	38	TU 7002801	TU 7002805
28	71,0	38	TU 7102801	TU 7102805
30	74,0	50	TU 7403001	TU 7403005
30	76,0	50	TU 7603001	TU 7603005
30	78,0	50	TU 7803001	TU 7803005
30	80,0	50	TU 8003001	TU 8003005
35	82,0	50	TU 8203501	TU 8203505
35	85,0	50	TU 8503501	TU 8503505
35	89,0	50	TU 8903501	TU 8903505
35	90,0	50	TU 9003501	TU 9003505
40	92,0	60	TU 9204001	TU 9204005
40	95,0	60	TU 9504001	TU 9504005
40	98,0	60	TU 9804001	TU 9804005
40	100,0	60	TU 10004001	TU 1004005
45	105,0	70	TU 10504501	TU 10504505
45	107,0	70	TU 10704501	TU 10704505
45	110,0	70	TU 11004501	TU 11004505
45	112,0	70	TU 11204501	TU 11204505
45	115,0	70	TU 11504501	TU 11504505



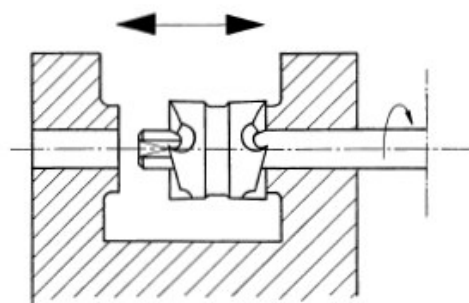
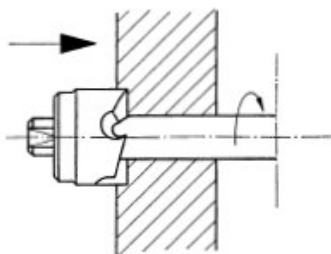
D <sub>1</sub>	D	D <sub>2</sub>	MK MT	L	L <sub>1</sub>	E	Objednací číslo		
							- s válcovou upínací stopkou	- upínací stopka s Morse kuželem TUH	TUG
5	5,3*	8	1	167	105	72	TUH 0530500	TUH 0530501	TUG 0530501
5	5,5*	8	1	167	105	72	TUH 0550500	TUH 0550501	TUG 0550501
5	6,4	8	1	167	105	72	TUH 0640500	TUH 0640501	TUG 0640501
5	6,6	8	1	167	105	72	TUH 0660500	TUH 0660501	TUG 0660501
5	7,0	8	1	167	105	72	TUH 0700500	TUH 0700501	TUG 0700501
6	8,4	10	1	167	105	70	TUH 0840600	TUH 0840601	TUG 0840601
6	9,0	10	1	167	105	70	TUH 0900600	TUH 0900601	TUG 0900601
6	9,5	10	1	167	105	70	TUH 0950600	TUH 0950601	TUG 0950601
8	8,4*	12	2	200	125	88	TUH 0840800	TUH 0840802	TUG 0840802
8	9,0	12	2	200	125	88	TUH 0900800	TUH 0900802	TUG 0900802
8	10,0	12	2	200	125	88	TUH 1000800	TUH 1000802	TUG 1000802
8	10,5	12	2	200	125	88	TUH 1050800	TUH 1050802	TUG 1050802
8	11,0	12	2	200	125	88	TUH 1100800	TUH 1100802	TUG 1100802
8	11,5	12	2	200	125	88	TUH 1150800	TUH 1150802	TUG 1150802
8	12,0	12	2	200	125	88	TUH 1200800	TUH 1200802	TUG 1200802
8	13,0	12	2	200	125	88	TUH 1350800	TUH 1350802	TUG 1350802
8	13,5	12	2	200	125	88	TUH 1350800	TUH 1350802	TUG 1350802
8	14,0	12	2	200	125	88	TUH 1400800	TUH 1400802	TUG 1400802
9	10,5	-	2	220	145	118	-	TUH 1050902	TUG 1050902
9	11,0	-	2	220	145	118	-	TUH 1100902	TUG 1100902
9	12,0	-	2	220	145	118	-	TUH 1200902	TUG 1200902
9	13,0	-	2	220	145	118	-	TUH 1300902	TUG 1300902
9	13,5	-	2	220	145	118	-	TUH 1350902	TUG 1350902
9	14,0	-	2	220	145	118	-	TUH 1400902	TUH 1400902
9	15,0	-	2	220	145	118	-	TUH 1500902	TUH 1500902
9	16,0	-	2	220	145	118	-	TUH 1600902	TUH 1600902

\* použitelné pouze s TU HSS



D <sub>1</sub>	D	MK MT	L	L <sub>1</sub>	E	Objednací číslo - upínací stopka s Morse kuželem	
						TUH	TUG
11	12,0*	3	259	165	135	TUH 1201103	na poptávku
11	13,0	3	259	165	135	TUH 1301103	
11	13,5	3	259	165	135	TUH 1351103	
11	14,0	3	259	165	135	TUH 1401103	
11	15,0	3	259	165	135	TUH 1501103	
11	15,5	3	259	165	135	TUH 1551103	
11	16,0	3	259	165	135	TUH 1601103	
11	17,0	3	259	165	135	TUH 1701103	
11	17,5	3	259	165	135	TUH 1751103	
11	18,0	3	259	165	135	TUH 1801103	
11	19,0	3	259	165	135	TUH 1901103	
11	20,0	3	259	165	135	TUH 2001103	
13	15,0	3	280	186	154	TUH 1501303	
13	15,5	3	280	186	154	TUH 1551303	
13	16,0	3	280	186	154	TUH 1601303	
13	17,0	3	280	186	154	TUH 1701303	
13	17,5	3	280	186	154	TUH 1751303	
13	18,0	3	280	186	154	TUH 1801303	
13	19,0	3	280	186	154	TUH 1901303	
13	20,0	3	280	186	154	TUH 2001303	
13	21,0	3	280	186	154	TUH 2101303	
13	22,0	3	280	186	154	TUH 2201303	
13	23,0	3	280	186	154	TUH 2301303	
13	24,0	3	280	186	154	TUH 2401303	
13	25,0	3	280	186	154	TUH 2501303	
17	19,0	3	301	207	172	TUH 1901703	
17	20,0	3	301	207	172	TUH 2001703	
17	21,0	3	301	207	172	TUH 2101703	
17	22,0	3	301	207	172	TUH 2201703	
17	23,0	3	301	207	172	TUH 2301703	
17	24,0	3	301	207	172	TUH 2401703	
17	25,0	3	301	207	172	TUH 2501703	
17	26,0	3	301	207	172	TUH 2601703	
17	27,0	3	301	207	172	TUH 2701703	
17	28,0	3	301	207	172	TUH 2801703	
17	30,0	3	301	207	172	TUH 3001703	
19	22,0	3	321	227	188	TUH 2201903	
19	23,0	3	321	227	188	TUH 2301903	
19	24,0	3	321	227	188	TUH 2401903	
19	25,0	3	321	227	188	TUH 2501903	
19	26,0	3	321	227	188	TUH 2601903	
19	28,0	3	321	227	188	TUH 2801903	
19	30,0	3	321	227	188	TUH 3001903	
19	32,0	3	321	227	188	TUH 3201903	
19	33,0	3	321	227	188	TUH 3301903	

D <sub>1</sub>	D	MK MT	L	L <sub>1</sub>	E	Objednací číslo - upínací stopka s Morse kuželem	
						TUH	TUG
21	24,0	4	364	246	205	TUH 2402104	na poptávku
21	25,0	4	364	246	205	TUH 2502104	
21	26,0	4	364	246	205	TUH 2602104	
21	28,0	4	364	246	205	TUH 2802104	
21	30,0	4	364	246	205	TUH 3002104	
21	32,0	4	364	246	205	TUH 3202104	
21	33,0	4	364	246	205	TUH 3302104	
21	35,0	4	364	246	205	TUH 3502104	
21	36,0	4	364	246	205	TUH 3602104	
25	28,0	4	385	267	224	TUH 2802504	
25	30,0	4	385	267	224	TUH 3002504	
25	32,0	4	385	267	224	TUH 3202504	
25	33,0	4	385	267	224	TUH 3302504	
25	35,0	4	385	267	224	TUH 3502504	
25	36,0	4	385	267	224	TUH 3602504	
25	39,0	4	385	267	224	TUH 3902504	
28	32,0	4	405	287	241	TUH 3202804	
28	33,0	4	405	287	241	TUH 3302804	
28	35,0	4	405	287	241	TUH 3502804	
28	36,0	4	405	287	241	TUH 3602804	
28	39,0	4	405	287	241	TUH 3902804	
28	40,0	4	405	287	241	TUH 4002804	
28	42,0	4	405	287	241	TUH 4202804	
28	45,0	4	405	287	241	TUH 4502804	
30	33,0	5	460	310	256	TUH 3303005	
30	36,0	5	460	310	256	TUH 3603005	
30	42,0	5	460	310	256	TUH 4203005	
35	36,0*	5	460	310	256	TUH 3603505	
35	39,0	5	460	310	256	TUH 3903505	
35	40,0	5	460	310	256	TUH 4003505	
35	42,0	5	460	310	256	TUH 4202505	
35	45,0	5	460	310	256	TUH 4503505	
35	48,0	5	460	310	256	TUH 4803505	
40	42,0*	5	480	330	266	TUH 4204005	
40	45,0	5	480	330	266	TUH 4504005	
40	48,0	5	480	330	266	TUH 4804005	
40	52,0	5	480	330	266	TUH 5204005	
45	48,0	5	480	330	256	TUH 4804505	
45	52,0	5	480	330	256	TUH 5204505	
45	56,0	5	480	330	256	TUH 5604505	
45	62,0	5	480	330	256	TUH 6204505	



na poptávku